



LW

Datasheet

LW | Large Industrial Display

DYNICS LW is a versatile display, designed to be a monitor or integrated with a sealed XiS PC. The LW is housed in a fan-less, drip-proof enclosure, able to operate 24/7 in environments up to 50°C/122°F ambient temperature. It is designed for overhead mounting as a single or back-to-back configuration, with 1 or 2 XiS PC(s) for independent video showing on each side.

LW Configuration:

- Single Monitor
- Single Monitor 1x PC
- Back-to-Back Monitors Only
- Back-to-Back 1x PC
- Back-to-Back 2x PC's

Key Features

- Static 15° Tilt
- Optional Soundbar
- 24/7 Operations
- Drip-Proof Sealed
- Optional XiS PC
- External IPS 200 / 550 Power Supply
- Heavy Duty Welded Brackets for Overhead Mounting

Display Specifications

Size	Resolution	View Angle	Contrast	Brightness	Aspect Ratio
42"	FHD 1920 x 1080	H: -89°/+89°, V: -89°/+89°	4000:1	500 nits	16:9
55"	FHD 1920 x 1080	H: -89°/+89°, V: -89°/+89°	4000:1	400 nits	16:9
75"	FHD 1920 x 1080	H: -89°/+89°, V: -89°/+89°	4000:1	400 nits	16:9
Lens	Protective Polycarbonate Lens				
LED Life	50,000 Hour Backlight Half-Life				
Enclosure	Standard Black Powder Coat Finish				
Power Supply	100~240VAC (3-Pin) Power Entry				
Temperature	Operating: 0° - 50°C (32° - 122°F) Non-Operating: -25° - 60°C (-13° - 140°F)				
Relative Humidity	Non-Condensing: 20% - 80%				
Compliance	European Union Directive 2011/65/EU (RoHS)				
Shipping Crate	WPM stamped and approved lumber for international shipping.				
Warranty	24-Month limited warranty. Extended warranty available, contact DYNICS for details.				





LW

Datasheet

Dimensions, Weight and Power Consumption

	Height	Width	Depth	Weight	Power Consumption
42" Single Monitor	32.618" (828.5mm)	39.822" (1011.5mm)	16.606" (421.8mm)	132 lbs.*	Monitor Only 135 Watts**
					Monitor 1x PC 160 Watts**
42" Back-to-Back	32.090" (815.1mm)	41.079" (1043.4mm)	25.591" (650.0mm)	235 lbs.*	Monitors Only 265 Watts**
					Monitors 1x PC 185 Watts**
					Monitors 2x PC's 320 Watts**
55" Single Monitor	33.180" (842.8mm)	50.673" (1287.1mm)	19.438" (493.7mm)	355 lbs.*	Monitor Only 215 Watts**
					Monitor 1x PC 245 Watts**
55" Back-to-Back	33.180" (842.8mm)	50.673" (1287.1mm)	30.664" (778.8mm)	522 lbs.*	Monitors Only 430 Watts**
					Monitors 1x PC 455 Watts**
					Monitors 2x PC's 485 Watts**
75" Single Monitor	49.816" (1265.3mm)	66.624" (1692.2mm)	25.606" (650.4mm)	480 lbs.*	Monitors Only 275 Watts**
					Monitor 1x PC 275 Watts**
75" Back-to-Back	49.822" (1265.5mm)	66.624" (1692.2mm)	44.091" (1119.9mm)	890 lbs.*	Monitors Only 550 Watts**
					Monitors 1x PC 575 Watts**
					Monitors 2x PC's 600 Watts**

*Weights are approximate, contact DYNICS for details.

**Power Consumption based on maximum ratings, actual ratings vary significantly based on components used.

	42" – 55"	75"
VESA Pattern	600mm (W) x 400mm (H)	800mm (W) x 600mm (H)

Mechanical Drawings

Single Monitors

Front View	Back View	Isometric View

Back-to-Back

Top View	Side View	Power Entry (3-Pin) 100~240VAC
		<p>1 GROUND 2 INP 3 FILTER</p>

All measurements are in inches and pounds, unless noted. Pictures and drawings are not to scale. Estimated weight may change depending on options. DYNICS reserves the right to change, modify, upgrade, or discontinue any part of this datasheet without any prior notice.





SOUNDBAR

Datasheet

SOUNDBAR | Speaker

DYNICS Soundbar features a heavy-duty sheet metal enclosure and two speakers for use with DYNICS large format displays in industrial environments.

Applications may be single or double-sided, in double-sided (back-to-back) applications the Soundbar setup is either a master-slave configuration with the same sound annunciated on each side, or a master-master configuration with each side operating independently. Master-master configuration requires one PC on each side. For remote sound requirements, the Soundbar is available with an optional output that can be daisy chained from the master to a remote unit.

Applications include ANDON, overhead paging and alert systems and training via a large format display.

Key Features

- Up to 105dB Output Maximum
- Up to 5 Drops / 500 ft. each Drop for Remote Soundbar
- M12 IP65 Sealed Connectors
- Remote Soundbar Option: Available as a Stand-Alone Unit
- Integrated Soundbar Option: Available with DYNICS Large Format Displays, Single and Back-to-Back Configurations
- Optional Audio Via USB:
 - Remote Soundbar Powered Via Separate Power Supply, Audio Driven Via USB
 - Remote Soundbar Powered Via M12 from DYNICS Integrated System, Audio Driven Via USB

Specifications

Sound	Max 105dB Output
Tilt Angle	-30° / +30° Tilt
Compliance	European Union Directive 2011/65/EU (RoHS)

Dimensions, Weights and Power Consumption

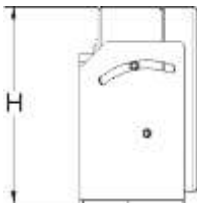
	Height	Width	Depth	Weight	Power Consumption	Power Supply
Integrated	5.159" (131.0mm)	22.340" (567.4mm)	3.089" (78.5mm)	8 lbs.*	Maximum 35 Watts**	24VDC (4-Pin)
					Typical 15 Watts**	
Remote	5.159" (131.0mm)	29.830" (758.0mm)	3.140" (80.0mm)	10 lbs.*	Maximum 40 Watts**	24VDC (4-Pin) / 100~240VAC (3-Pin)
					Typical 20 Watts**	

*Weights are approximate, contact DYNICS for details.

**Power Consumption based on maximum ratings. Actual ratings vary significantly based on components used.

Mechanical Drawings

Side View	Front View	Bottom View
------------------	-------------------	--------------------



All measurements are in inches and pounds, unless noted. Pictures and drawings are not to scale. Estimated weight may change depending on options. DYNICS reserves the right to change, modify, upgrade, or discontinue any part of this datasheet without any prior notice.





XiS

Datasheet

XiS | Compact Computer

DYNICS IP65 XiS features a Braswell 6th Gen Intel Core i5 or i7 Processor in a compact form factor and an aluminum heat sink for durability and reliability. Configurable to suit many production applications, the XiS offers options for operating system, storage and Wi-Fi.



Key Features

- 24VDC (4-Pin)
- Aluminum Heat Sink
- Fan-less
- Optional Wi-Fi 2.4 / 5GHz Wireless 802.11 a/g/n
- IP65

PC Specifications

Motherboard	Skylake-U	3.5" SBC Braswell
I/O	2x DVI-D Ports 2x USB 3.0 Ports 2x Ethernet M12 Ports	2x DVI-D Ports 2x USB 3.0 Ports 2x Ethernet M12 Ports
CPU	Intel® Core i5 6300U / i7 6600U	Intel® Celeron® N1360
CPU Speed	i5 – 2.4GHz Base, 3.0GHz Turbo (2 Cores, 4 Threads) i7 – 2.6GHz Base, 3.4GHz Turbo (2 Cores, 4 Threads)	1.6GHz Base, 2.24GHz Turbo (4 Cores, 4 Threads)
Memory	Up to 16GB DDR4	Up to 8GB DDR3
Power Supply	24VDC (4-Pin) Power Entry	
Storage	240GB – 2TB SSD / 1TB HDD	
Operating System	- Windows® 7 (64-bit) - Windows® 7 Embedded Standard (64-bit) - Windows® 10 Professional (64-bit) - Windows® 10 Enterprise IoT LTSB 2016 (64-bit)	
Temperature	Operating: 0° - 50°C (32° - 122°F) Non-Operating: -25° - 60°C (-13° - 140°F)	
Relative Humidity	Non-Condensing: 20% - 80%	
Shock	Operating: 10G Non-Operating: 15G	
Vibration	Operating: 1.0G from 57~2000Hz Non-Operating: 2.5G from 57~2000Hz	
Compliance	European Union Directive 2011/65/EU (RoHS)	
Warranty	24-Month limited warranty. Extended warranty available, contact DYNICS for details.	





XiS

Datasheet

Dimensions, Weight and Power Consumption

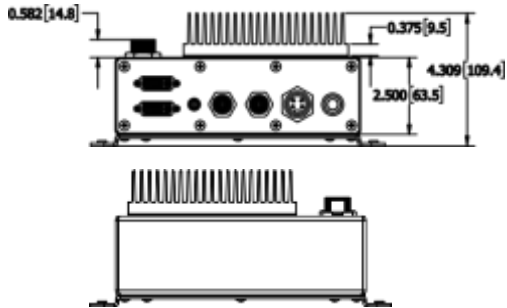
	Height	Width	Depth	Weight	Power Consumption
XiS	4.309" (109.4mm)	9.608" (244.0mm)	9.031" (229.4mm)	8 lbs.*	Skylake 25 Watts**
					Braswell 60 Watts**

*Weights are approximate, contact DYNICS for details.

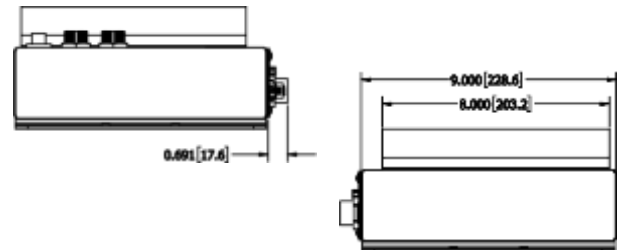
**Power Consumption based on maximum ratings, actual ratings vary significantly based on components used.

Mechanical Drawings

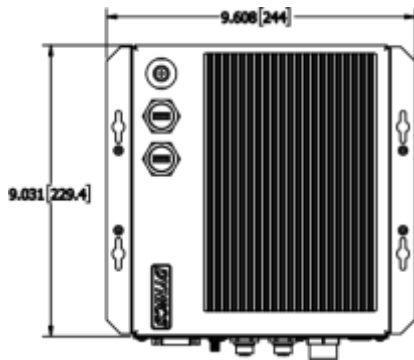
Front and Back Views



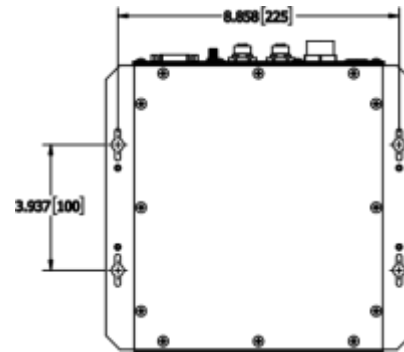
Side View



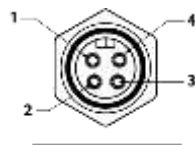
Top View



Bottom View



Power Entry (4-Pin) 24VDC



- 1 0VDC
- 2 0VDC
- 3 -24VDC
- 4 +24VDC

