



SC-UPS35P-IP65

Datasheet



SC-UPS35P-IP65 | Power Supply

DYNICS SC-UPS35P-IP65 is designed to protect and back-up sensitive electronic equipment. Maintenance and battery free, with a 10-year life span, uninterruptible power supply and an automatic switchover. The SC-UPS35P-IP65 can proficiently protect, secure and safely back-up your computer(s), in case of a power outage.

Key Features

- LED Indicators
- Maintenance Free
- Environmentally Friendly
- Independent Over Current Protection for each Output with Electronic Circuit Breaker
- Part Numbers for Different Connectors:
 - 4-Pin Input/4-Pin Output: SC-UPS35P-4/4-IP65
 - 5-Pin Input/5-Pin Output: SC-UPS35P-5/5-IP65
 - 4-Pin Input/5-Pin Output: SC-UPS35P-4/5-IP65
 - 5-Pin Input/4-Pin Output: SC-UPS35P-5/4-IP65
- 10 Year Life at 60°C Capacitor Temperature
- Designed and Assembled in Michigan
- Over Voltage, Under Voltage and Reverse Voltage Protection
- Low Heat Development
- Lead Free
- Battery Free
- IP65 Ingress Protection

Pin Connections

Part Number Connector	Input	Output
4-Pin / 4-Pin: SC-UPS35P-4 / 4-IP65	4-Pin	4-Pin
4-Pin / 5-Pin: SC-UPS35P-4 / 5-IP65	4-Pin	5-Pin
5-Pin / 5-Pin: SC-UPS35P-5 / 5-IP65	5-Pin	5-Pin
5-Pin / 4-Pin: SC-UPS35P-5 / 4-IP65	5-Pin	4-Pin

Specifications

Input Voltage	
- Nominal	24VDC
- Range	21.6 – 26.4VDC
Output	
- Current Rating	4A UPS 4A Aux
- Voltage	24VDC
- Over Current Limit	5A UPS 5A Aux
- Fault Timeout Period	47mS
- Restart Time After Fault	4.4 Seconds
- Maximum Capacitive Load	3600 µF
Capacity	3500 Watt Seconds
Runtime	1A / 144 Seconds 2A / 72 Seconds 4A / 36 Seconds
Ambient Temperature	Operating: -20° - 55°C (-4° - 131°F) Non-Operating: -25° - 60°C (-13° - 140°F)
Relative Humidity	Non-Condensing: 20% - 80%
Shock	Operating: 10G Non-Operating: 15G
Vibration	Operating: 1.0G from 57~2000Hz Non-Operating: 2.5G from 57~2000Hz
Compliance	European Union Directive 2011/65/EU (RoHS)
Warranty	24-Month limited warranty. Extended warranty available, contact DYNICS for details.





SC-UPS35P-IP65

Datasheet

Dimensions, Weight and Power Consumption

SC-UPS35P-IP65	Height	Width	Depth	Weight
Panel Mount	8.821" (224.1mm)	8.000" (203.2mm)	3.634" (92.3mm)	5 lbs.*
Slice Mount	8.331" (211.6mm)	8.627" (219.1mm)	4.933" (125.3mm)	5 lbs.*

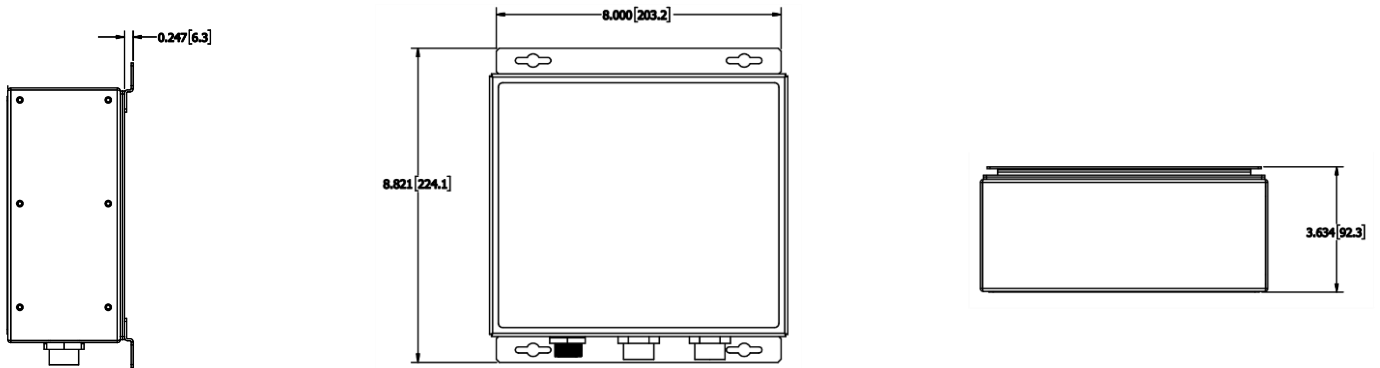
*Weights are approximate, contact DYNICS for details.

Mechanical Drawings

Panel Mount

Top View

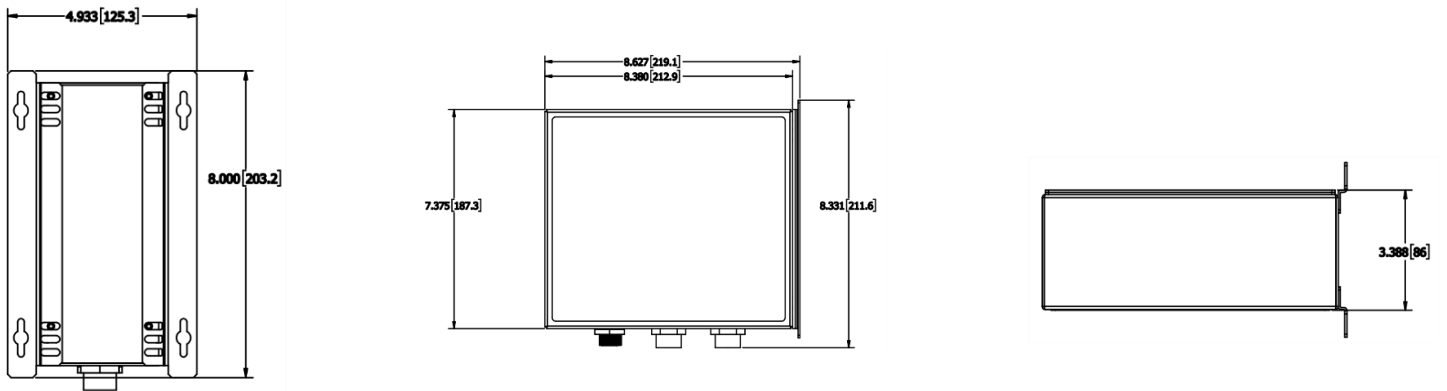
Side View



Slice Mount

Top View

Side View



4-Pin

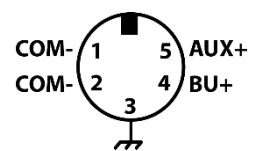
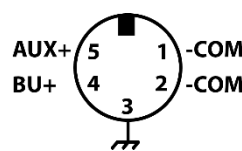
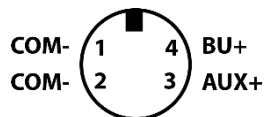
Output

Input

5-Pin

Output

Input





SC-UPS35P-IP65

Datasheet

Lamination Legend

SC-UPS3500
 SUPER CAP UNINTERRUPTIBLE
 POWER SUPPLY
 INPUT: 21.6 - 26.4 VDC
 OUTPUT: 24 VDC
 BACKUP: 4A - AUX OUT: 4A

- CAP CHARGED** (Green LED) → Charged 90% or Higher
- UPS POWER OUT** (Blue LED) → Primary Output Active
- AUX POWER OUT** (Blue LED) → AUX Output Active
- INPUT POWER FAIL** (Red LED) → Input Power Fail

Icons: No Batteries, RoHS Compliant, Made in USA

Pin Rendering



5 to 4 Pin



5 to 5 Pin



4 to 4 Pin



4 to 5 Pin

All measurements are in inches and pounds, unless noted. Pictures and drawings are not to scale. Estimated weight may change depending on options. DYNICS reserves the right to change, modify, upgrade, or discontinue any part of this datasheet without any prior notice.

